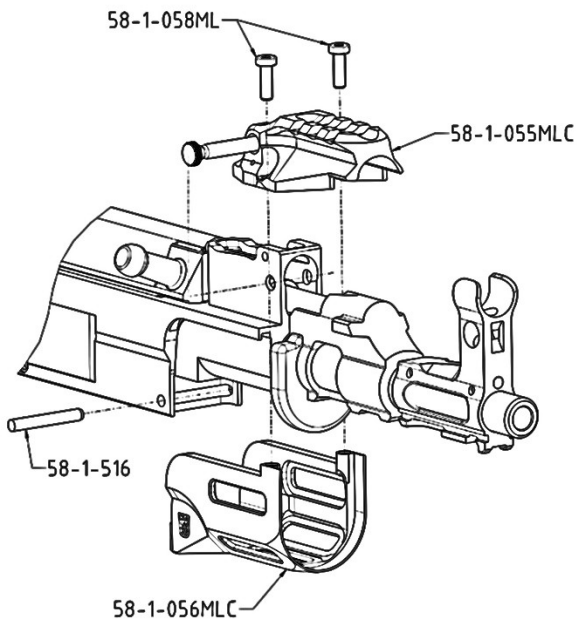


# Procedure for mounting the Sa vz.58 Sporter COMPACT M-LOK CP handguard



1. Attach the lower handguard 58-1-056MLC below the barrel and secure with the lower handguard pin 58-1-516.
2. Attach the upper handguard 58-1-055ML and secure with a locking pin.
3. Connect the upper and lower handguard with screws 58-1-058ML and tighten to a tightening torque of 2.8 Nm.