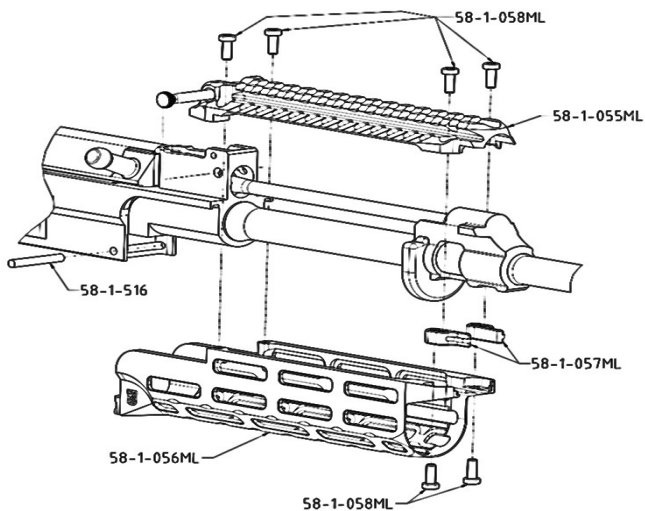


Procedure for mounting the Sa vz.58 Sporter CARBINE / RIFLE M-LOK handguard



1. Attach the lower handguard 58-1-056ML below the barrel, between the gas block and receiver.
2. Insert both handguard stops 58-1-057ML into the base in the front part of the handguard and secure the screws 58-1-058ML from below against falling out, do not tighten the screws.
3. Attach the upper handguard 58-1-055ML and secure with a locking pin.
4. Secure the upper handguard 58-1-055ML with the screws 58-1-058ML in the front part to the handguard stops in the lower handguard 58-1-057ML to a tightening torque of 2.8 Nm. Then tighten the screws in the rear section of the upper handguard 58-1-056ML.
5. Tighten the screws in the lower handguard 58-1-056ML, to the same tightening torque of 2.8 Nm.
6. Secure the lower handguard with lower handguard pin 58-1-516 into the receiver.